

ULTRA COMPACT MOTORS

HDD
High Density Drives



HDT 09 High Speed Motors

Compact

- Ultra Compact Design
- Integrated Feedback
- Solid 19mm shaft
- Easy mounting

Reliable

- Maintenance free
- Robust construction
- High protection class
- Accurate positioning

Powerful

- High torque
- Low inertia
- High torsional stiffness
- Low weight



Industries

- Military
- Marine
- Robotics
- Manufacturing
- Automotive
- Construction

The **HDT 09 High Speed Motors** are rated for **6000rpm**, have **92 mm** frame size, a torque range from **1.2Nm to 45Nm** and wound for **230 or 400VAC**. All motors can be supplied with or without brake.

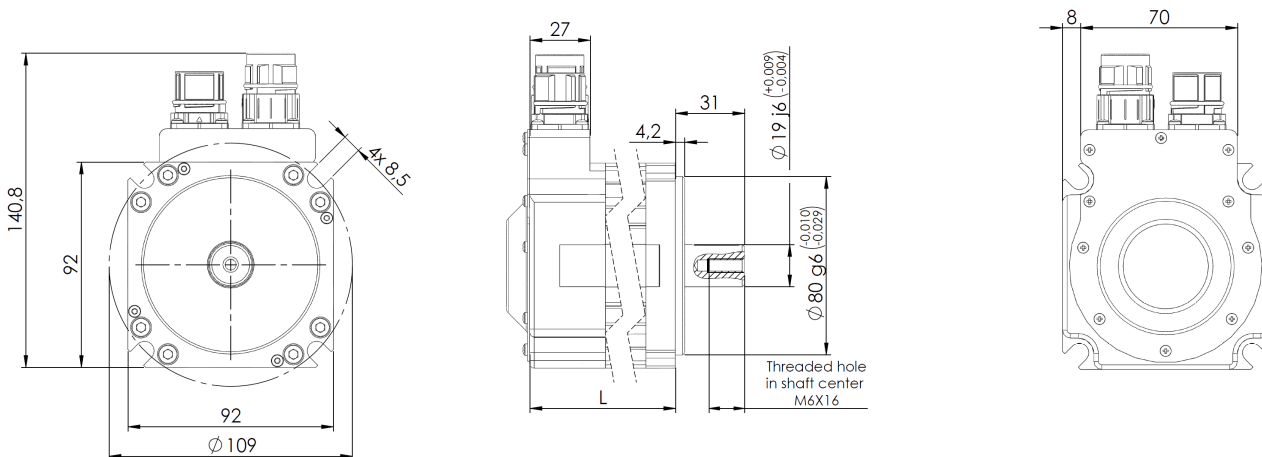
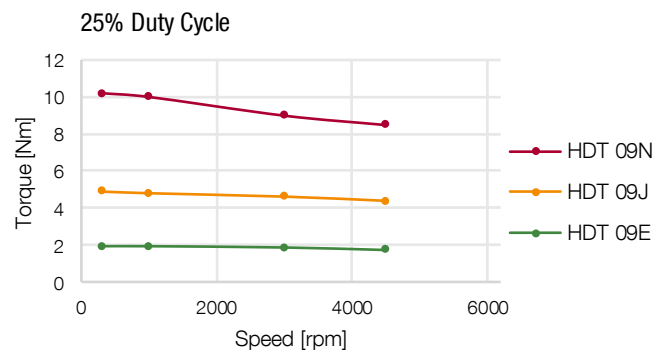
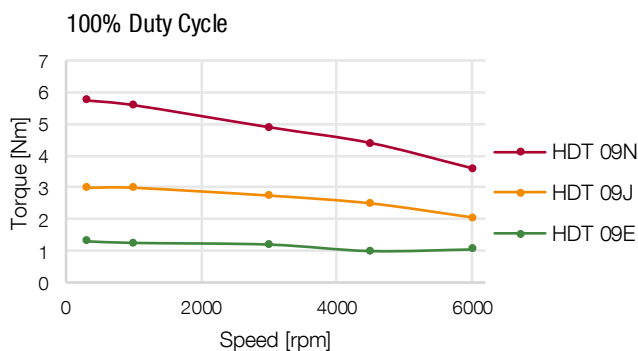
The standard motor is equipped with keyway, straight connectors, resolver feedback, PTC thermal sensor and IP-65 protected. As options the motor can be ordered with a variety of feedback systems, angled connectors, without keyway, IP-67 protected and with pressurized air connection.

Please see <http://www.hdd.se> for more details and other motor models.

Technical data

| | Rated speed | Low speed | Rated torque | Peak torque | Rated current | Length (L)* | Flange [mm] | Mass** [kg] | Inertia [kgcm ²] |
|----------------|-------------|-----------|--------------|-------------|---------------|-------------|-------------|-------------|------------------------------|
| HDT 09E | 6000 | 1.3 | 1.05 | 2.8 | 2.05 | 47.3 | 92 | 1.7 | 0.51 |
| HDT 09J | 6000 | 2.8 | 2.05 | 7.3 | 4.1 | 59.6 | 92 | 2.3 | 1.01 |
| HDT 09N | 6000 | 5.5 | 3.6 | 16.6 | 15.8 | 87.3 | 92 | 3.5 | 2.1 |

* Without transducer and brake, ** With resolver feedback system



Specifications can be changed without notice. Reservation for printing error.