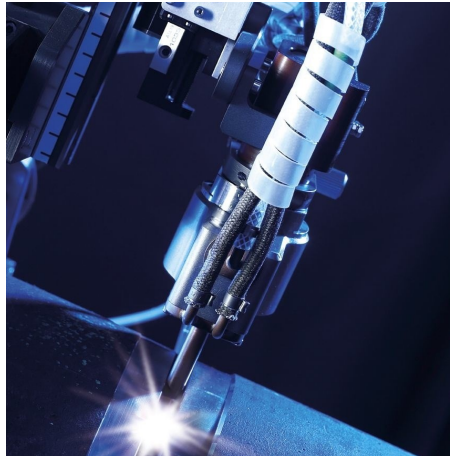
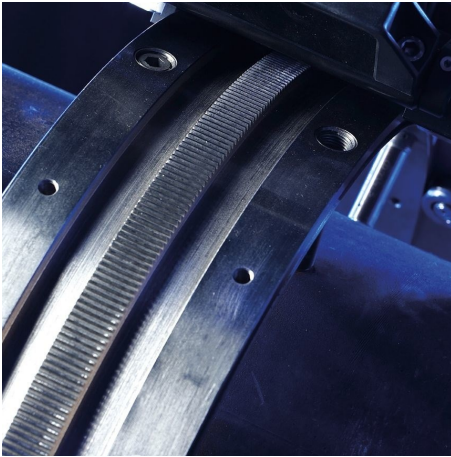


ULTRA COMPACT MOTORS

HDD
High Density Drives



HDD 14 **Solid Shaft Motors**

Compact

- Ultra Compact Design
- Integrated Feedback
- Solid 19mm shaft
- Easy mounting

Reliable

- Maintenance free
- Robust construction
- High protection class
- Accurate positioning

Powerful

- High torque
- Low inertia
- High torsional stiffness
- Low weight



Industries

- Military
- Marine
- Robotics
- Manufacturing
- Automotive
- Construction

The **HDD 14 Solid Shaft Motors** have **140 mm** frame size, a torque range from **7Nm to 45Nm**, rated **3000rpm** and wound for **230 or 400VAC**. All motors can be supplied with or without brake.

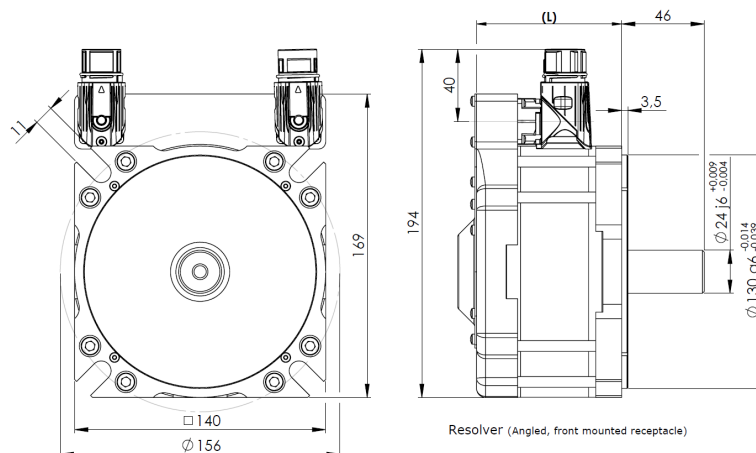
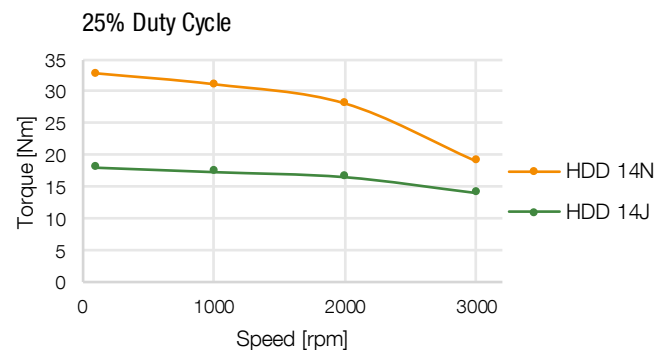
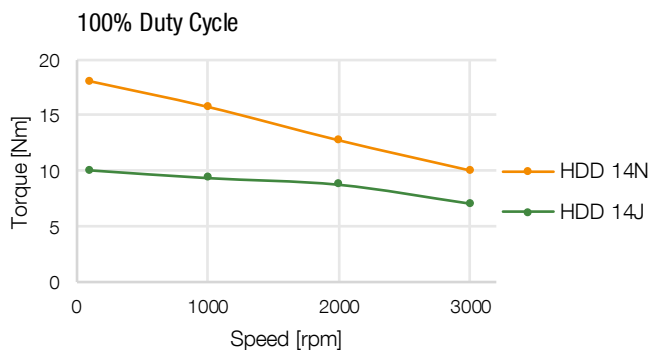
The standard motor is equipped with keyway, straight connectors, resolver feedback, PTC thermal sensor and IP-65 protected. As options the motor can be ordered with a variety of feedback systems, angled connectors, without keyway, IP-67 protected and with pressurized air connection.

Please see <http://www.hdd.se> for more details and other motor models.

Technical data

	Rated speed [rpm]	Low speed torque [Nm]	Rated torque [Nm]	Peak torque [Nm]	Rated current [A]	Length (L)* [mm]	Flange [mm]	Mass** [kg]	Inertia [kgcm ²]
HDD 14J	3000	10.0	7.0	22.5	5.3	80.9	140	5.7	13.7
HDD 14N	3000	18.0	10.0	45	12.6	114.1	140	9.2	33.6

* Without transducer and brake, ** With resolver feedback system



The motors are UL recognized components.



Specifications can be changed without notice. Reservation for printing error.