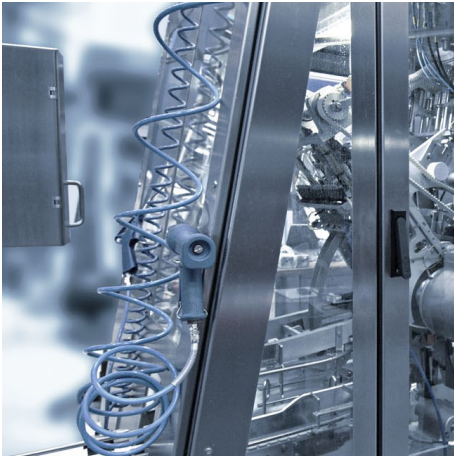


ULTRA COMPACT MOTORS

HDD
High Density Drives



HDD 09 Solid Shaft Motors

Compact

- Ultra Compact Design
- Integrated Feedback
- Solid 19mm shaft
- Easy mounting

Reliable

- Maintenance free
- Robust construction
- High protection class
- Accurate positioning

Powerful

- High torque
- Low inertia
- High torsional stiffness
- Low weight



Industries

- Military
- Marine
- Robotics
- Manufacturing
- Automotive
- Construction

The **HDD 09 Solid Shaft Motors** are our most sold motors. The motors have **92 mm** frame size, a torque range from **1.2Nm to 33Nm**, rated **3000rpm** and wound for **230 or 400VAC**. All motors can be supplied with or without brake.

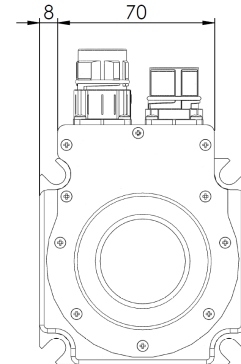
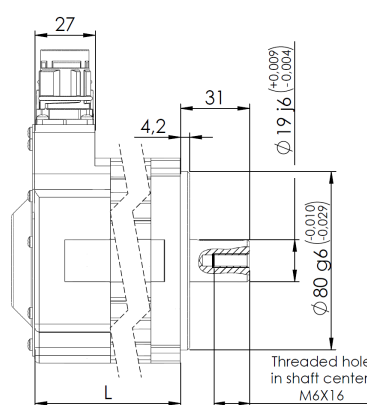
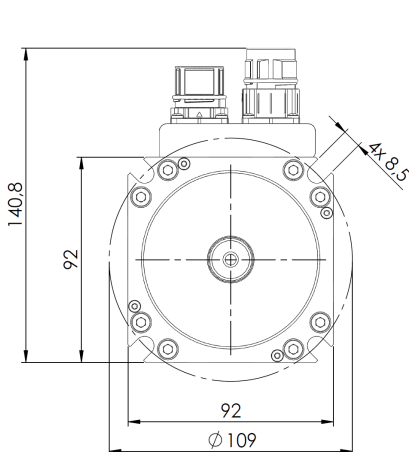
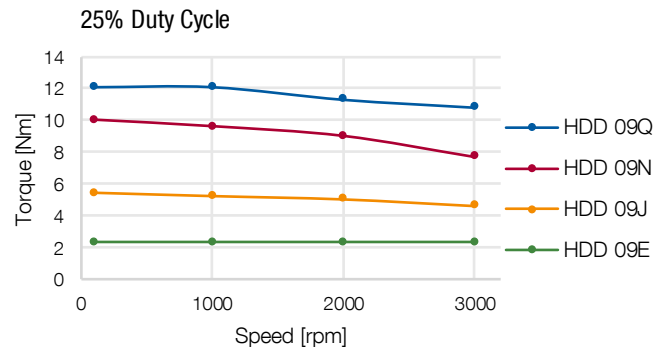
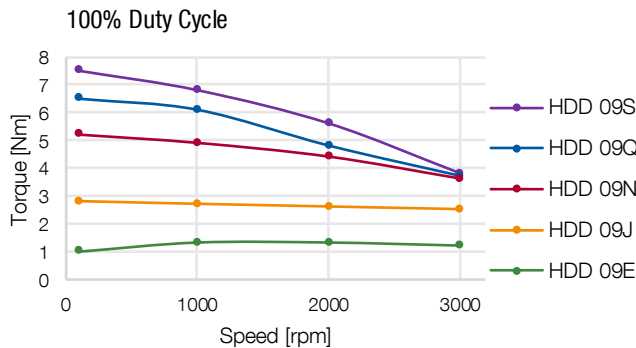
The standard motor is equipped with keyway, straight connectors, resolver feedback, PTC thermal sensor and IP-65 protected. As options the motor can be ordered with a variety of feedback systems, angled connectors, without keyway, IP-67 protected and with pressurized air connection.

Please see <http://www.hdd.se> for more details and other motor models.

Technical data

	Rated speed [rpm]	Low speed torque [Nm]	Rated torque [Nm]	Peak torque [Nm]	Rated current [A]	Length (L)* [mm]	Flange [mm]	Mass** [kg]	Inertia [kgcm ²]
HDD 09E	3000	1.3	1.2	2.8	1.1	47.3	92	1.8	1.3
HDD 09J	3000	2.8	2.3	7.3	2.4	59.6	92	2.4	2.8
HDD 09N	3000	5.5	3.6	16.6	3.3	87.3	92	3.6	6.1
HDD 09Q	2000	6.5	4.8	25	5.3	109.7	92	4.7	8.8
HDD 09S	2000	7.5	5.6	33	5.3	137.3	92	5.7	12.0

* Without transducer and brake, ** With resolver feedback system



The motors are UL recognized components.



Specifications can be changed without notice. Reservation for printing error.