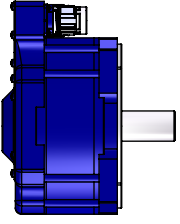
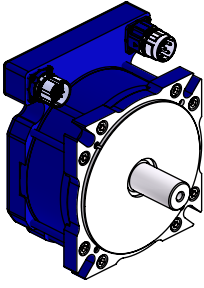
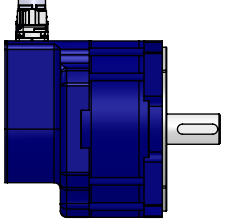
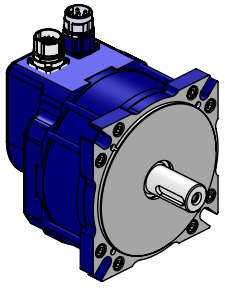
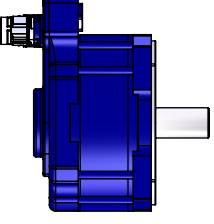
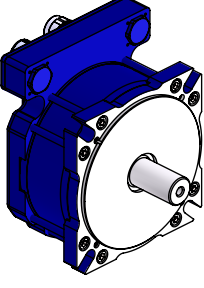
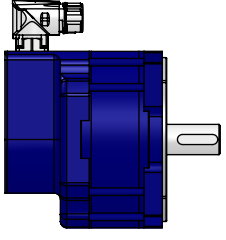
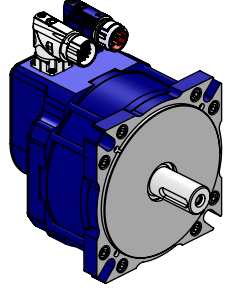
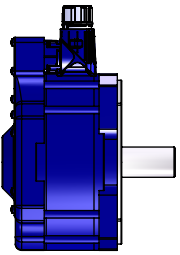
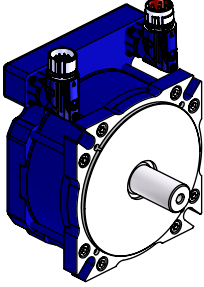
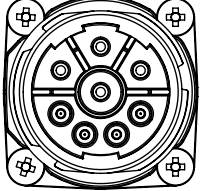
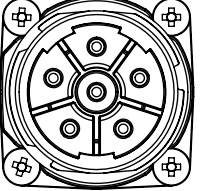
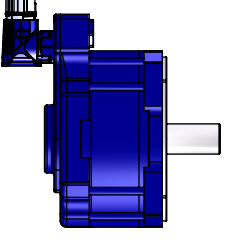
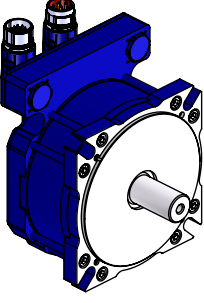



<p>1</p> <p>HDD14/ICM14</p> <p>Front Mounted Straight Receptacles</p>	<p>2</p> 	<p>3</p> 	<p>4</p> <p>HDD14/ICM14 (Model with Heidenhain ECN1313/1325 ERN1385 EQN1325/1337)</p> <p>Top Mounted Straight Receptacles</p>	<p>5</p> 	<p>6</p> 
<p>B</p> <p>HDD14/ICM14</p> <p>Rear Mounted Straight Receptacles</p>			<p>HDD14/ICM14 (Model with Heidenhain ECN1313/1325 ERN1385 EQN1325/1337)</p> <p>Top Mounted Angled Receptacles (Rotatable 210°)</p>		
<p>C</p> <p>HDD14/ICM14</p> <p>Front Mounted Angled Receptacles (Rotatable 210°)</p>			<p>Standard power receptacle pin options <i>Other receptacles available upon request.</i></p> <div style="display: flex; justify-content: space-around; align-items: center;">   </div> <p>4+3+PE 5+PE</p>		
<p>D</p> <p>HDD14/ICM14</p> <p>Rear Mounted Angled Receptacles (Rotatable 210°)</p>			<div style="text-align: right;">  <p>DRAWING: Receptacle Options Size 14 A4</p> <p>DATE: MARCH 2015 SCALE:1:6 SHEET 1 OF 1</p> </div>		