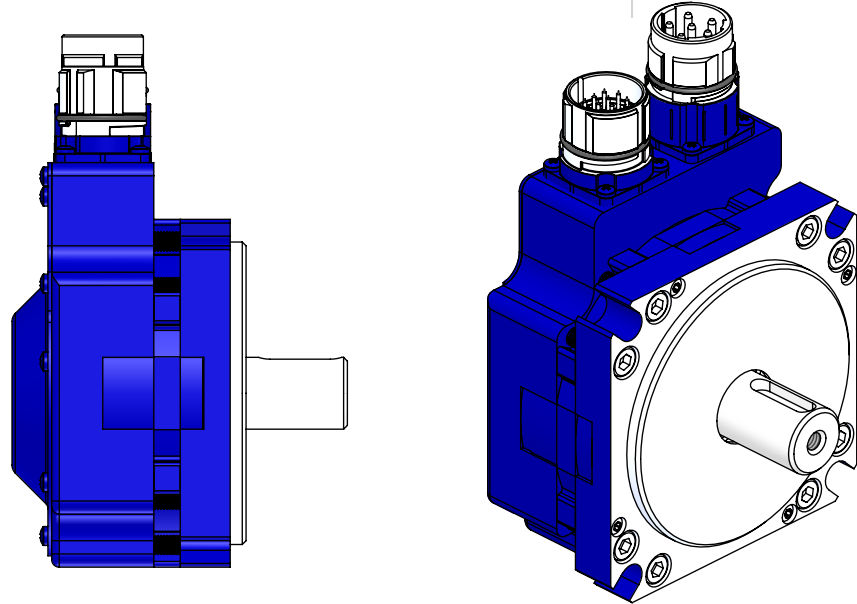


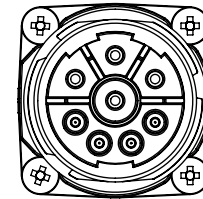
**HDD09/HDT09  
ICM09/HSM09**

Top Mounted  
Straight Receptacles

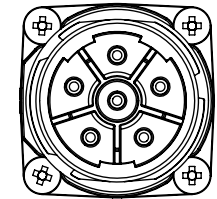


**Standard power receptacle pin options**

*Other receptacles available upon request.*



4+3+PE



5+PE

**HDD09/HDT09  
ICM09/HSM09**

Top Mounted  
Angled Receptacles  
(Rotatable 210°)

