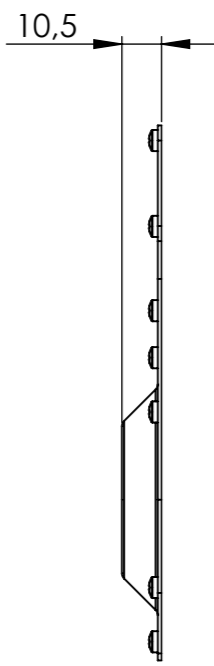
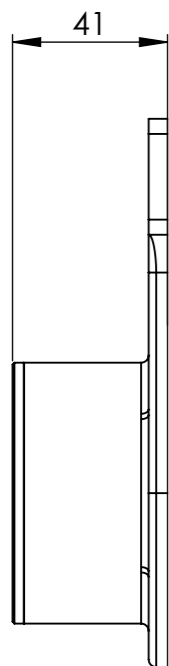
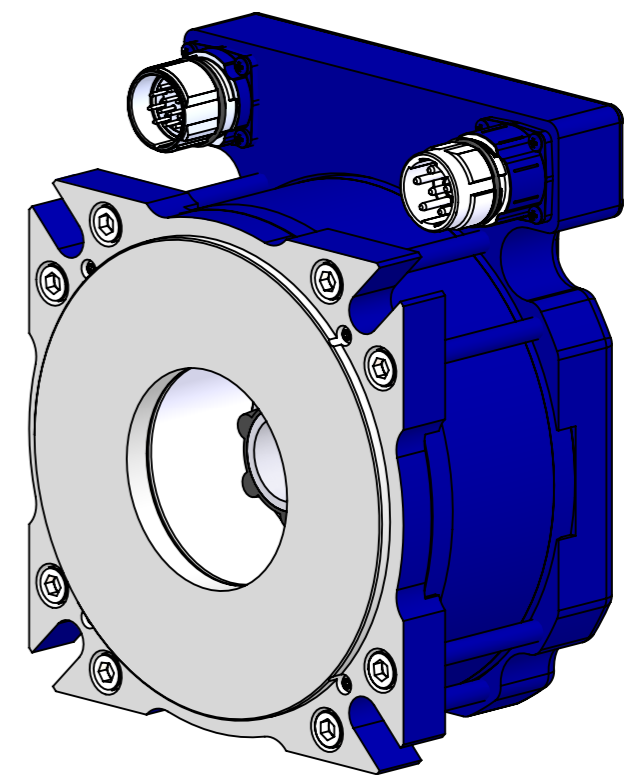


SICK SinCos Transducer
SRS/SRM50 (Hiperface)

Resolver and
Heidenhain EBI1135 (EnDat)



ICM14		
Type	J	N
L (mm)	80,9	114,1
Specifications can be changed without notice		



Many other feedback options are available upon request.